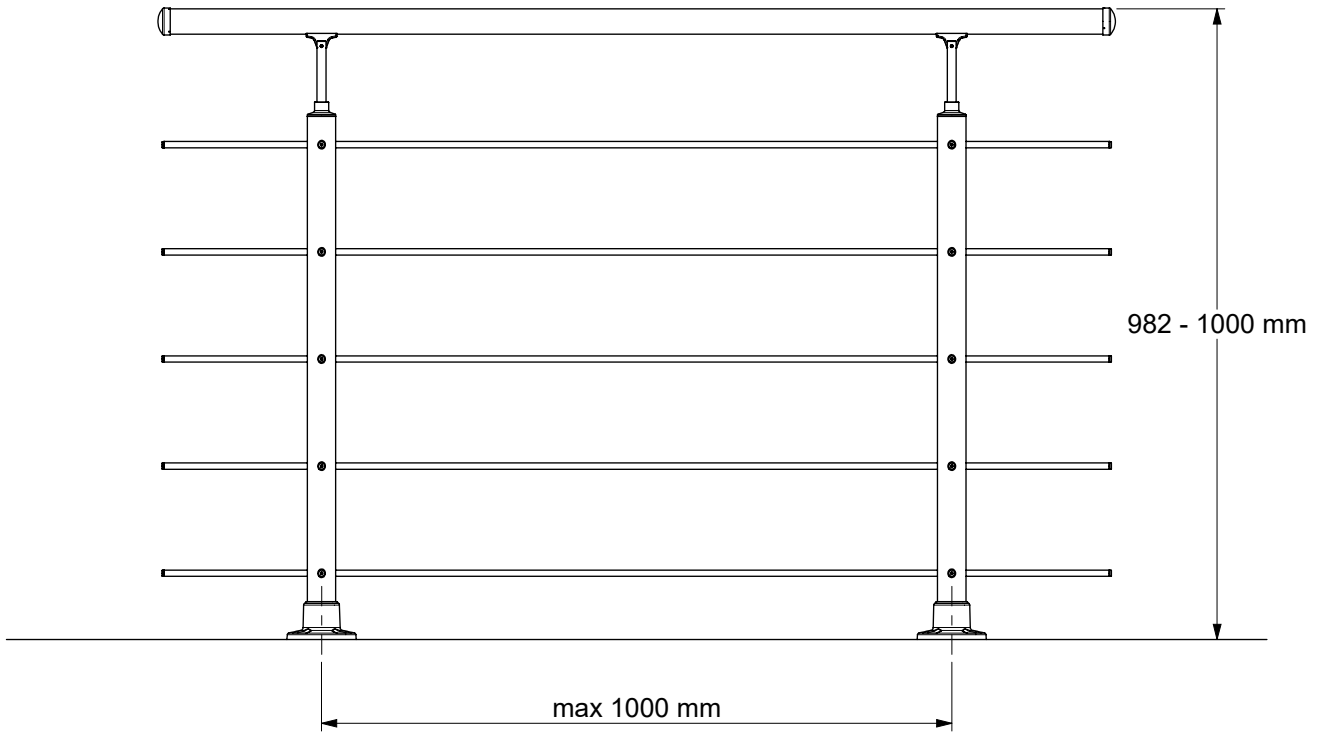
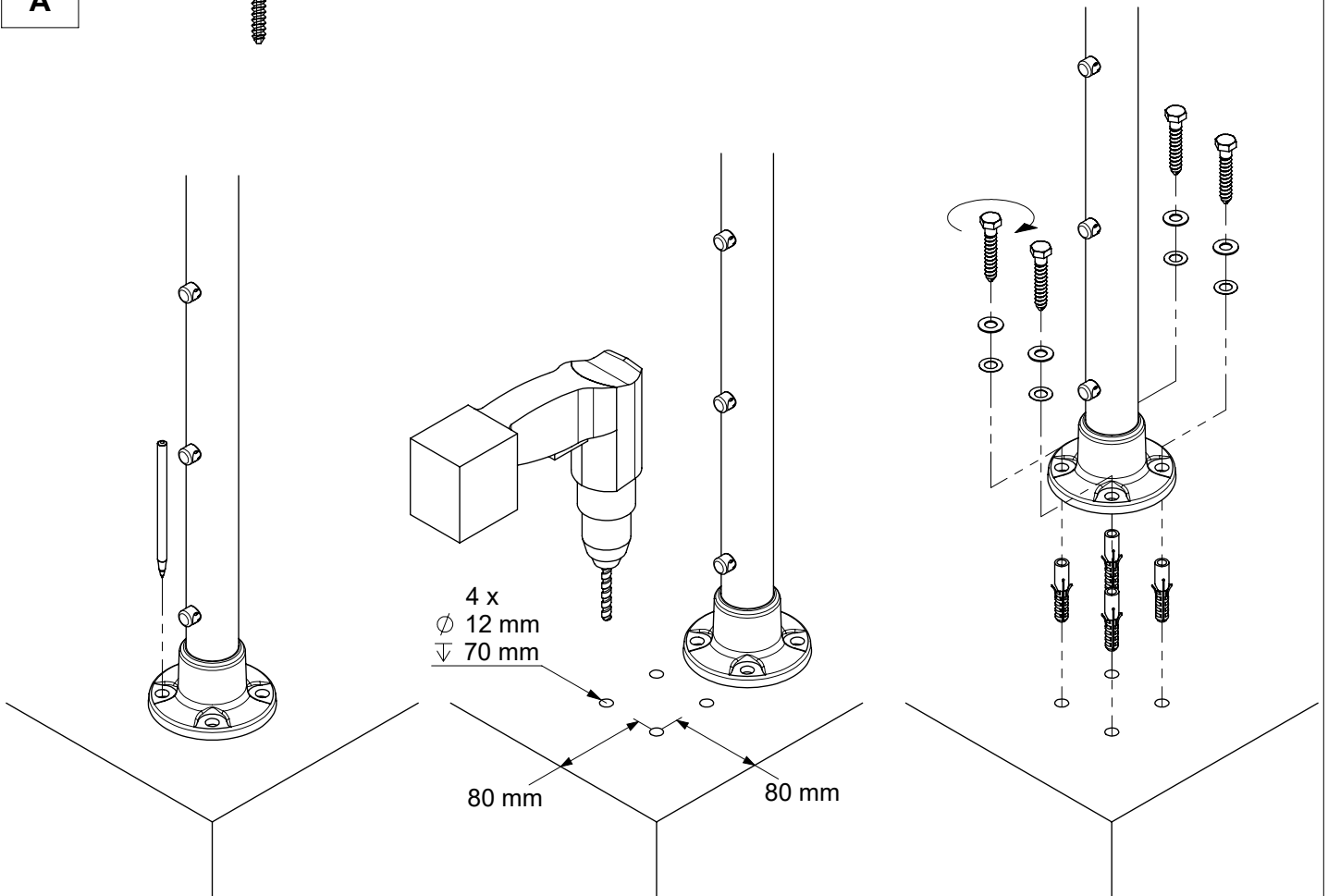
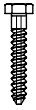
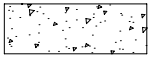


1



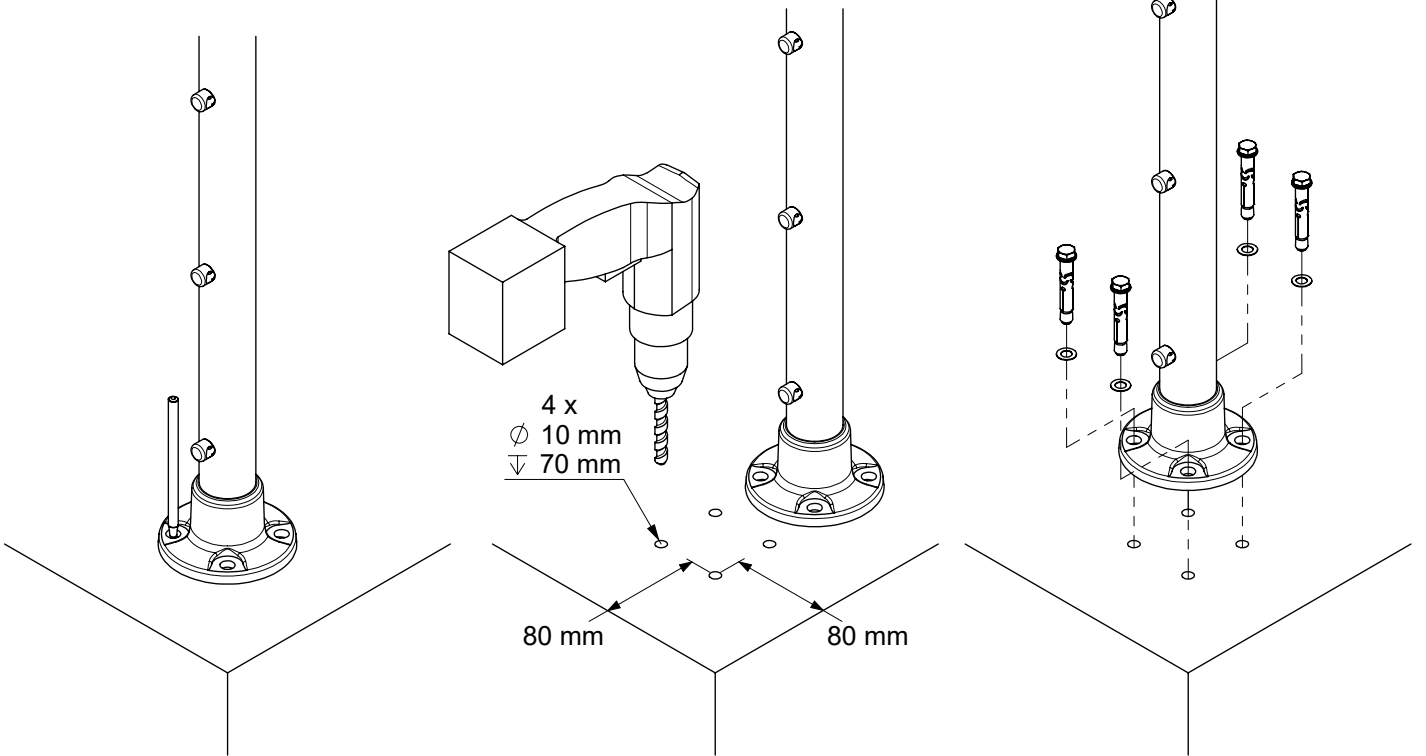
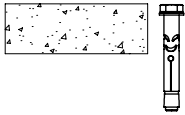
2

Alt
A

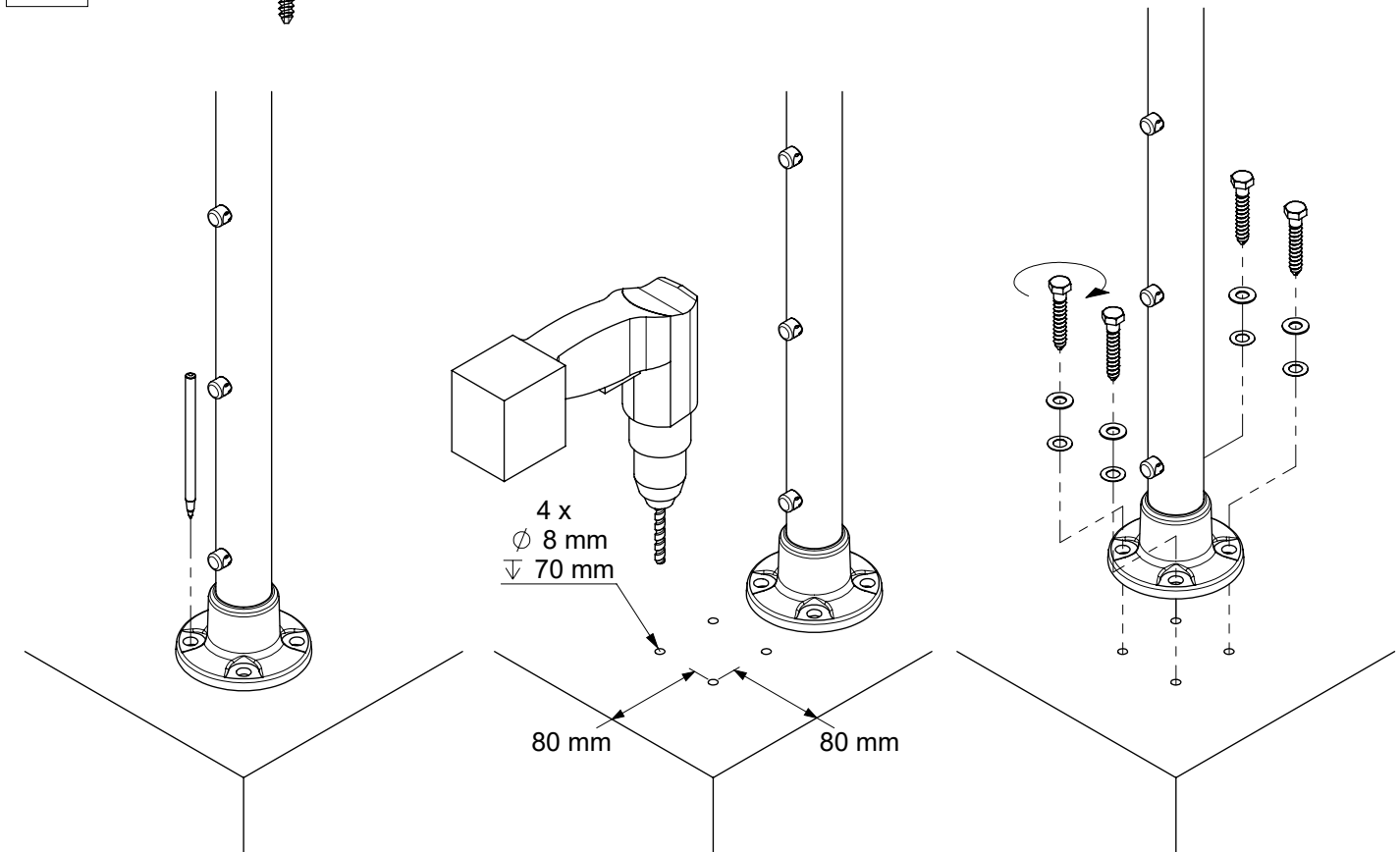
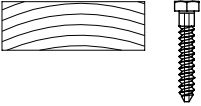


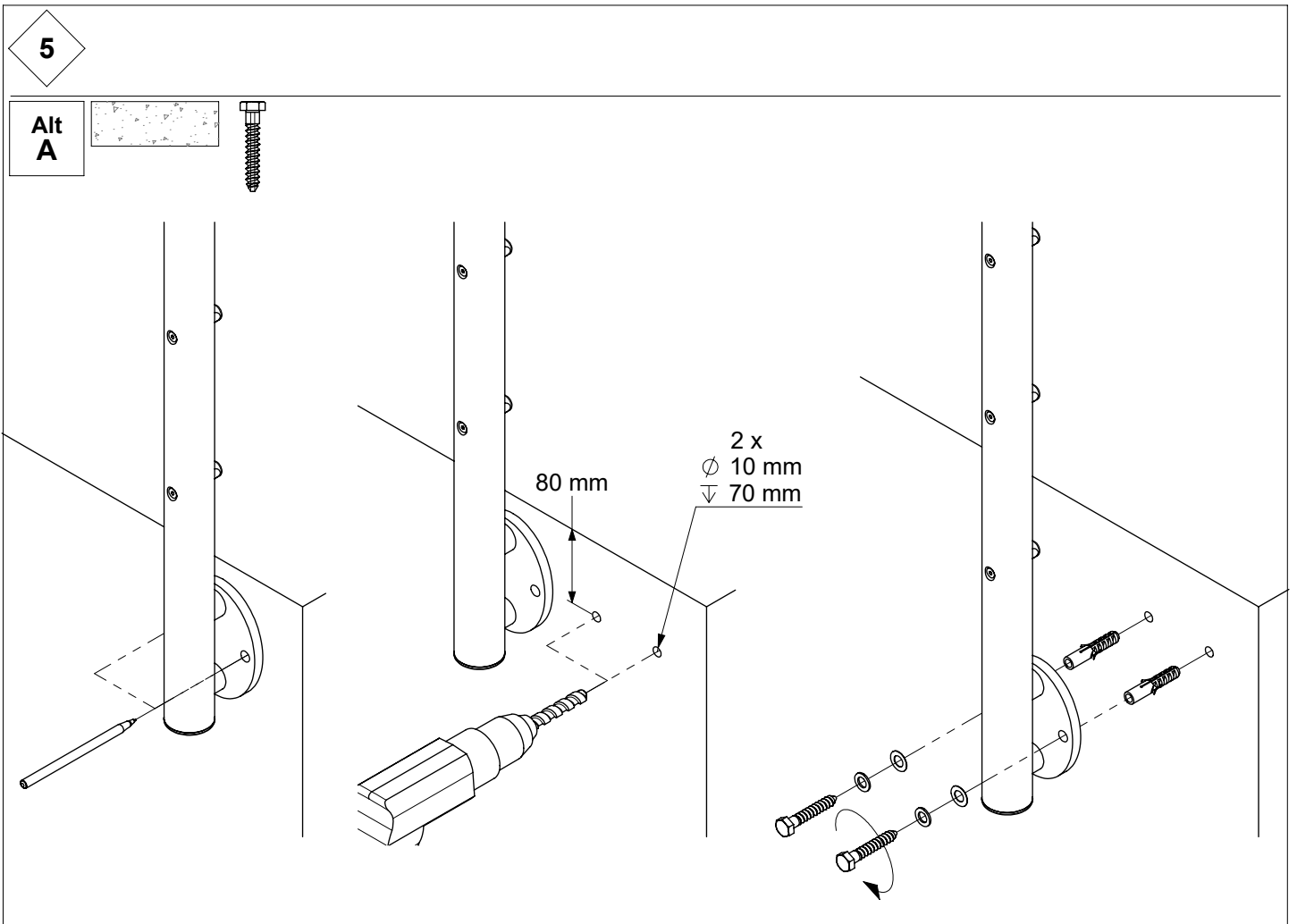
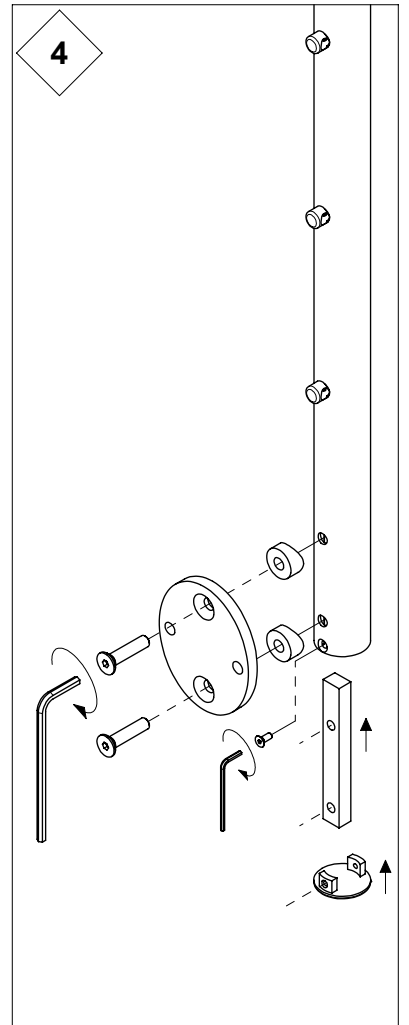
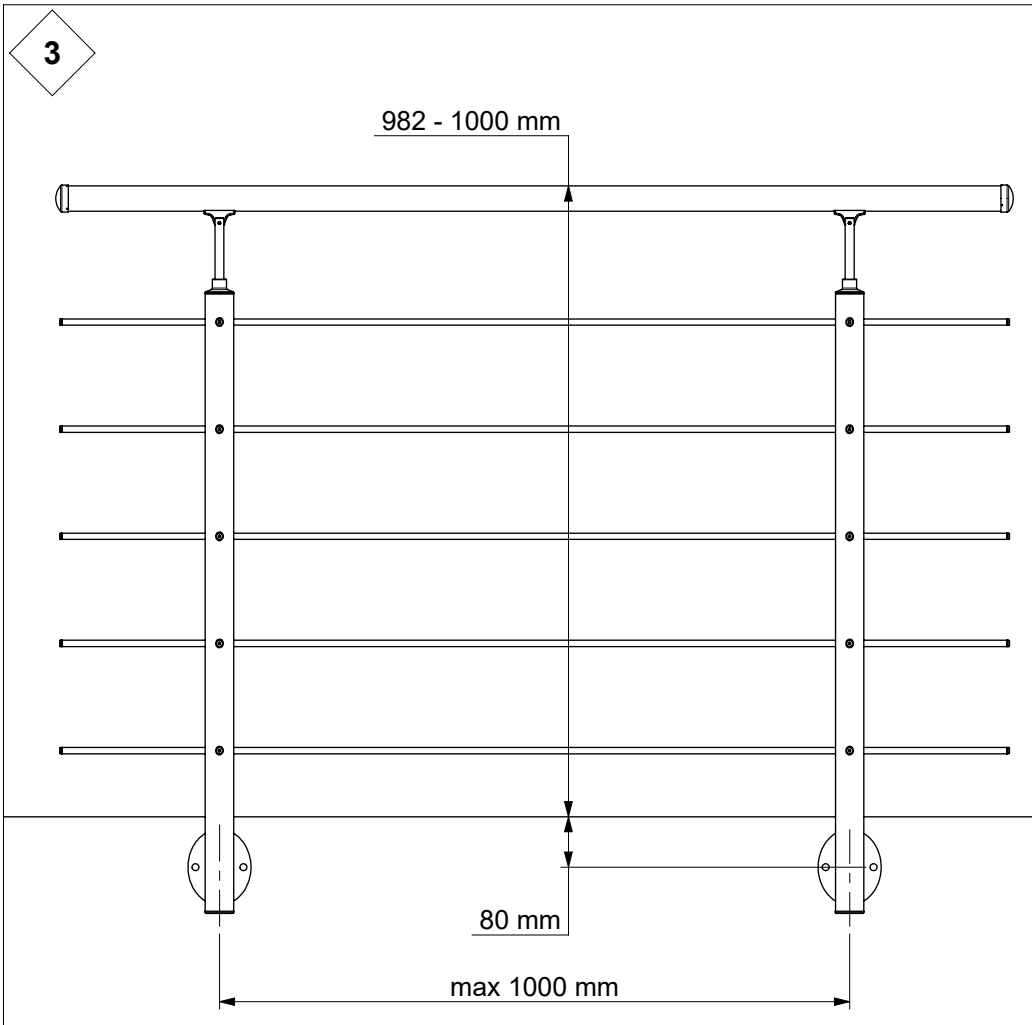
2

Alt B



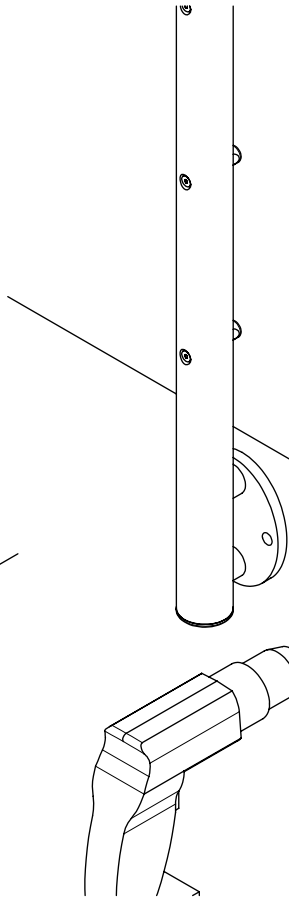
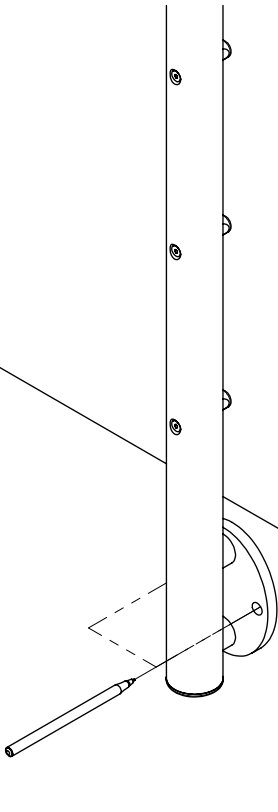
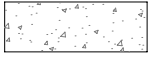
Alt C





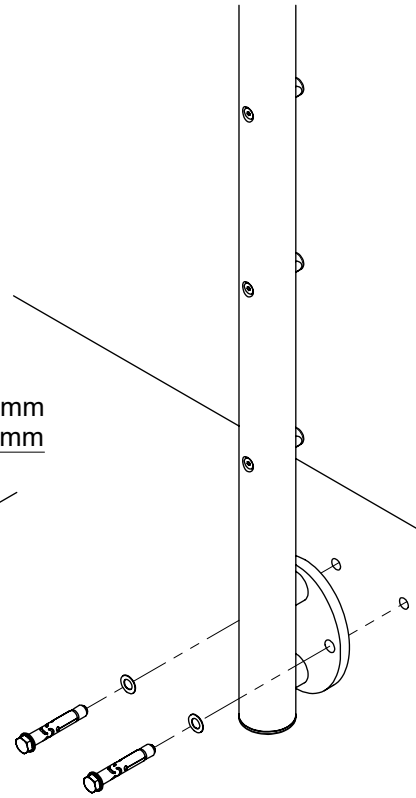
5

Alt B

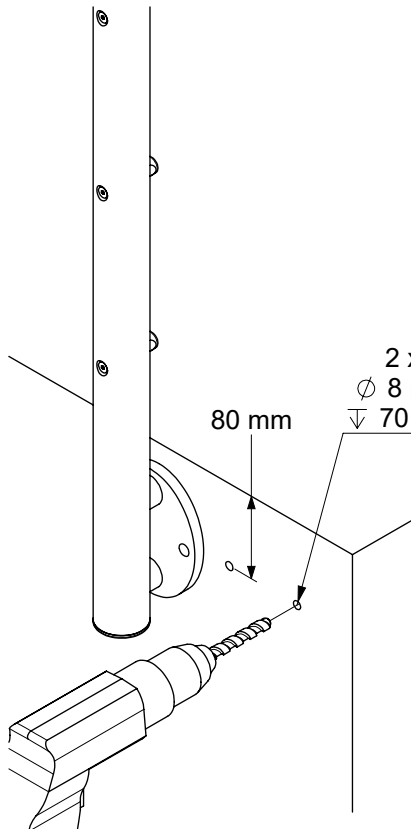
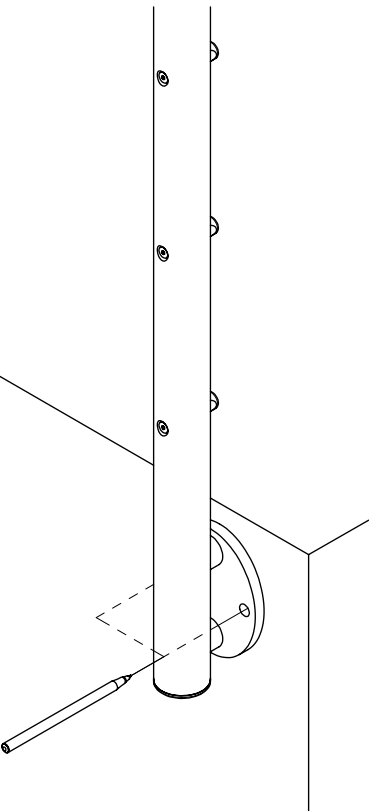
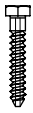


80 mm

2 x
Ø 10 mm
70 mm

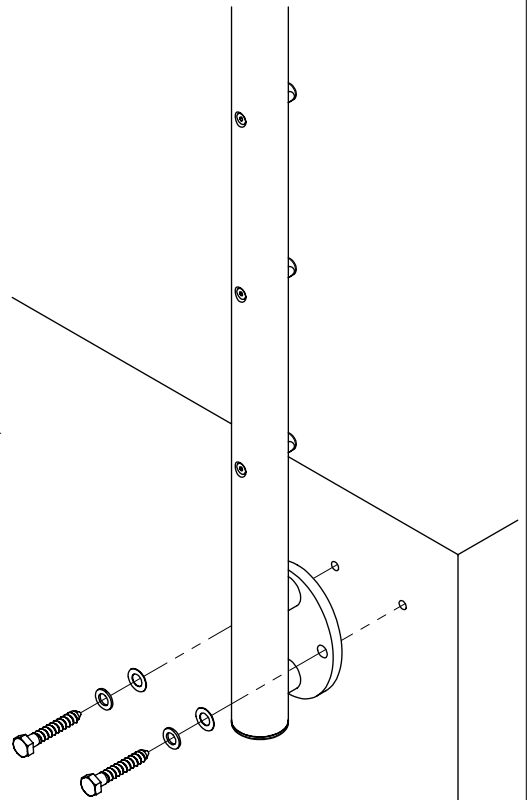


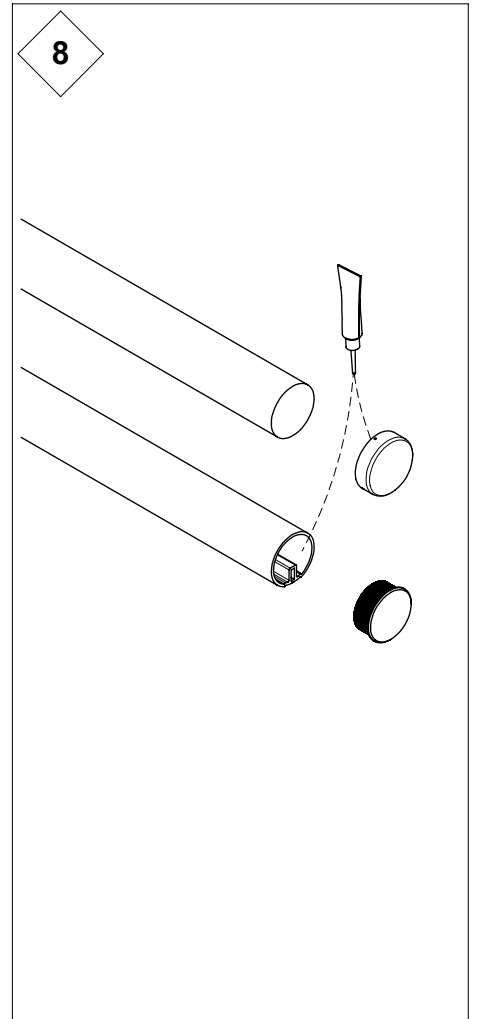
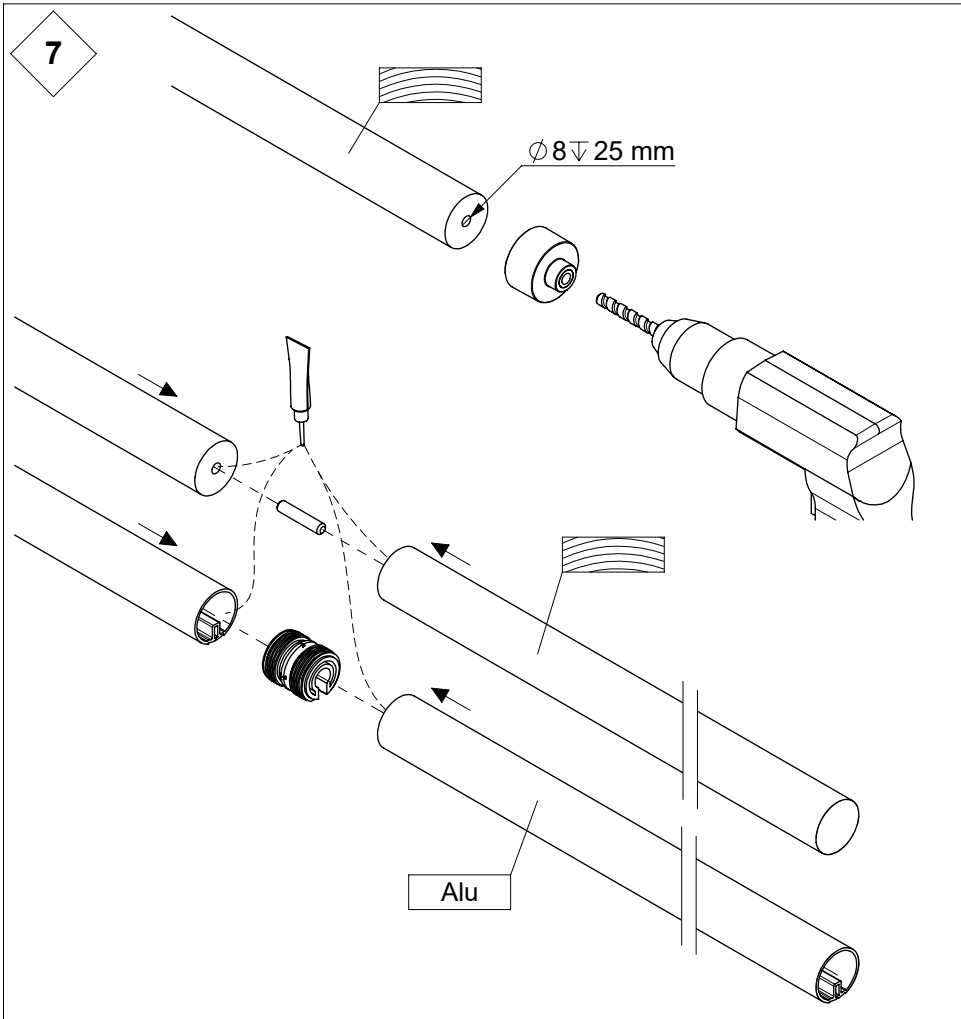
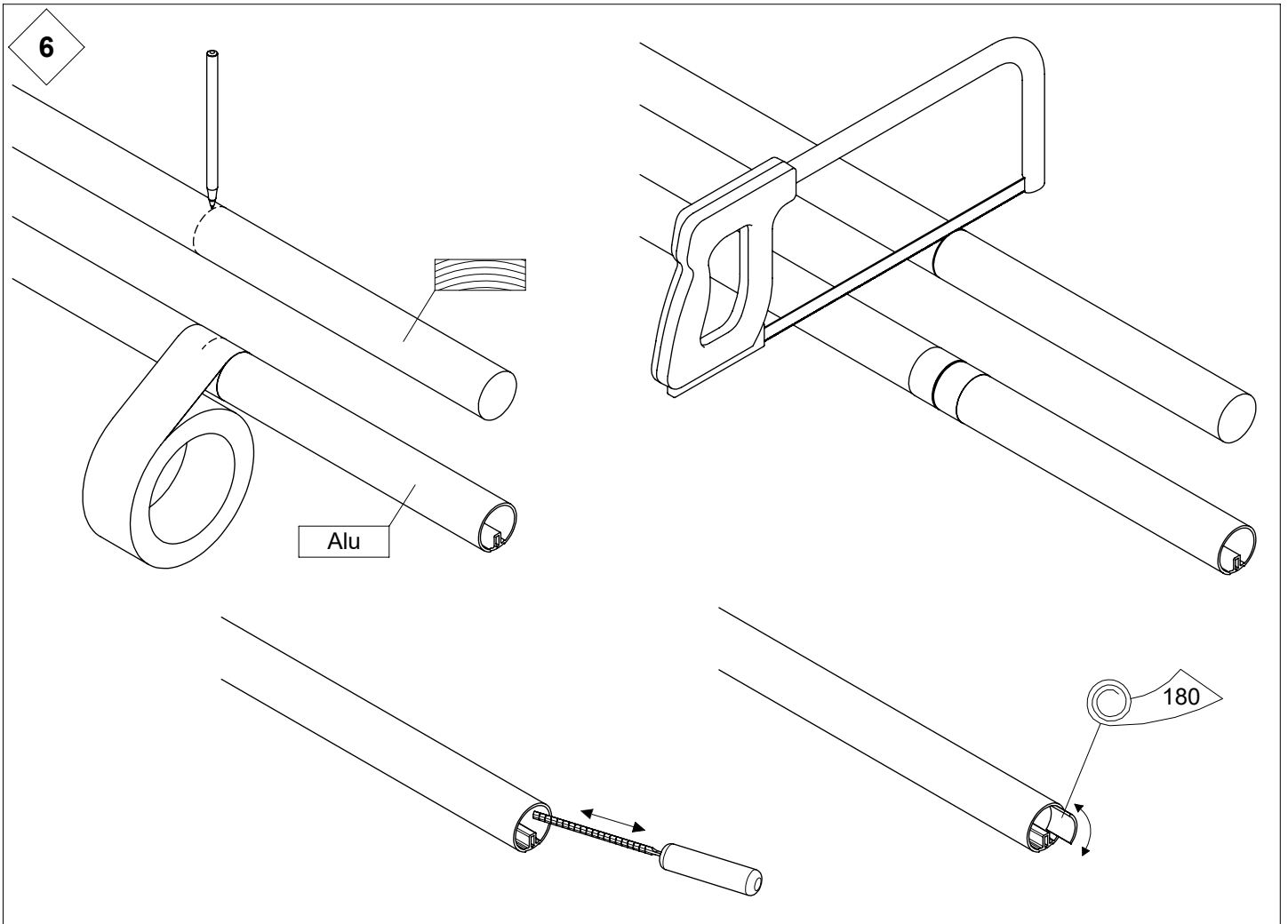
Alt C



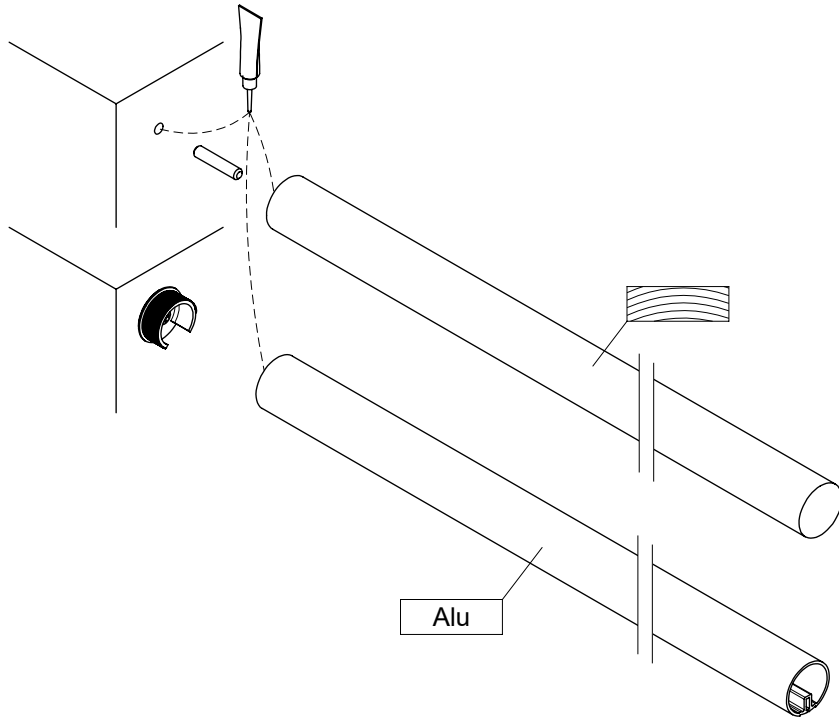
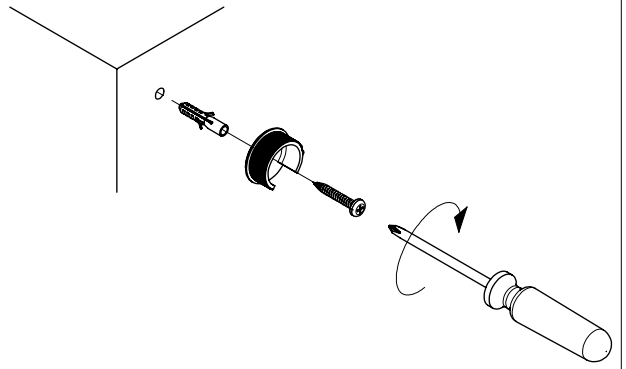
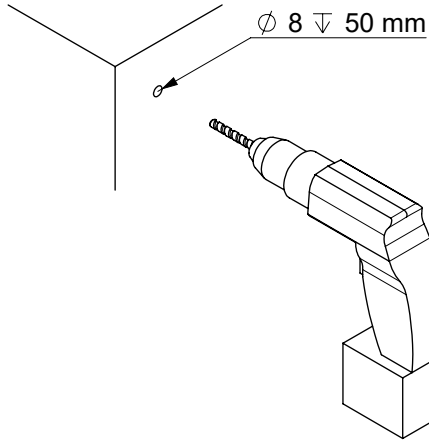
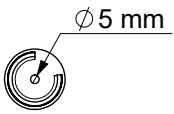
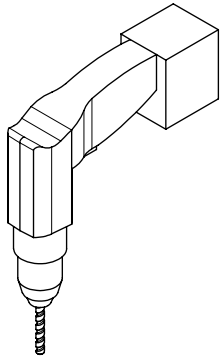
80 mm

2 x
Ø 8 mm
70 mm

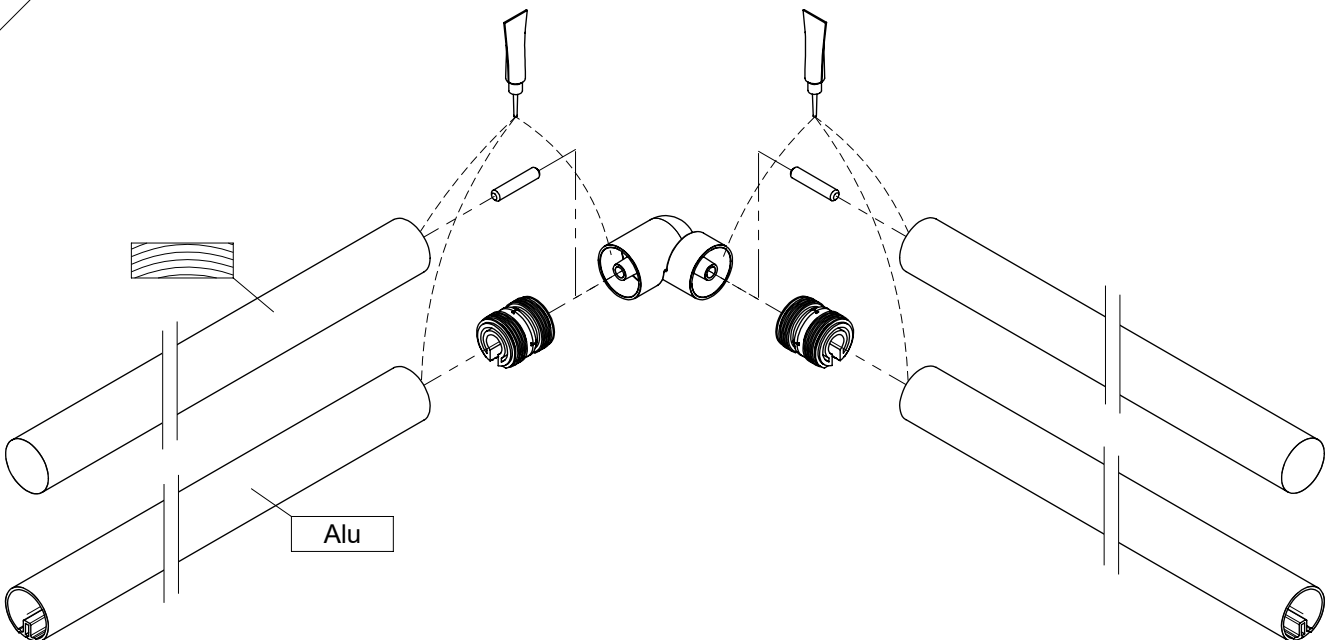




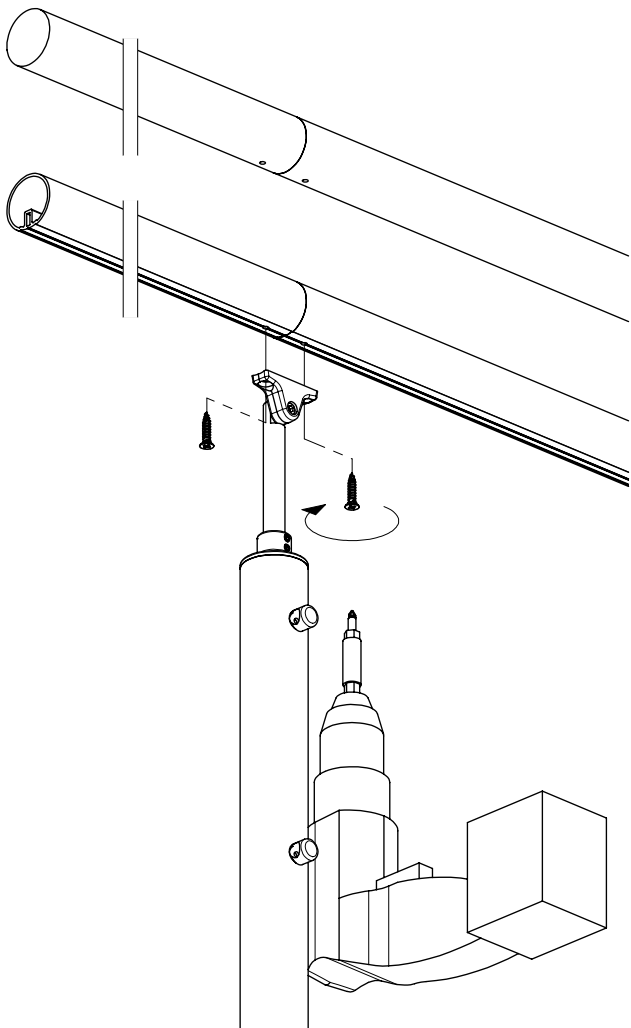
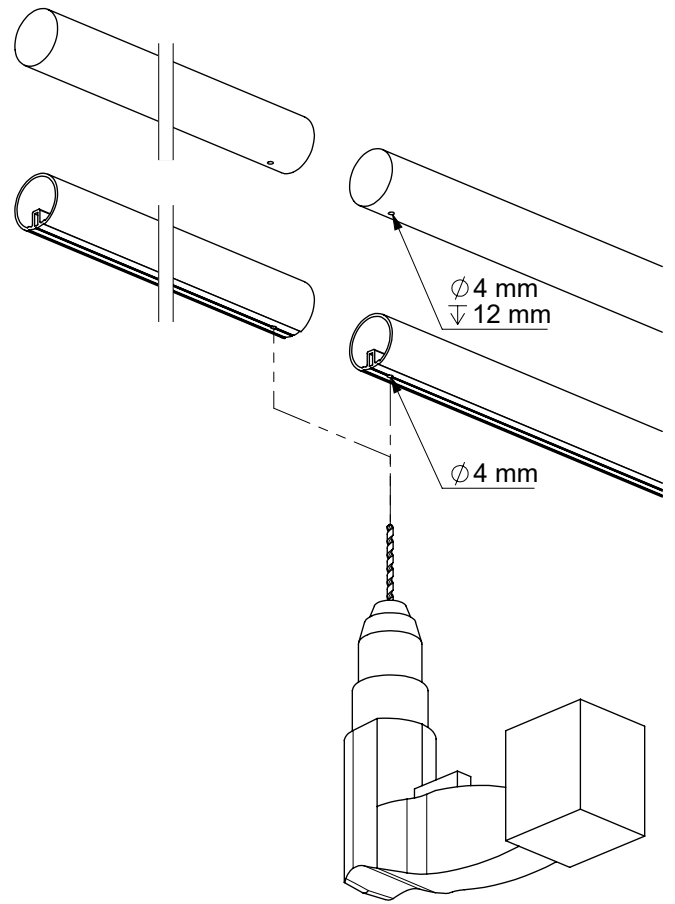
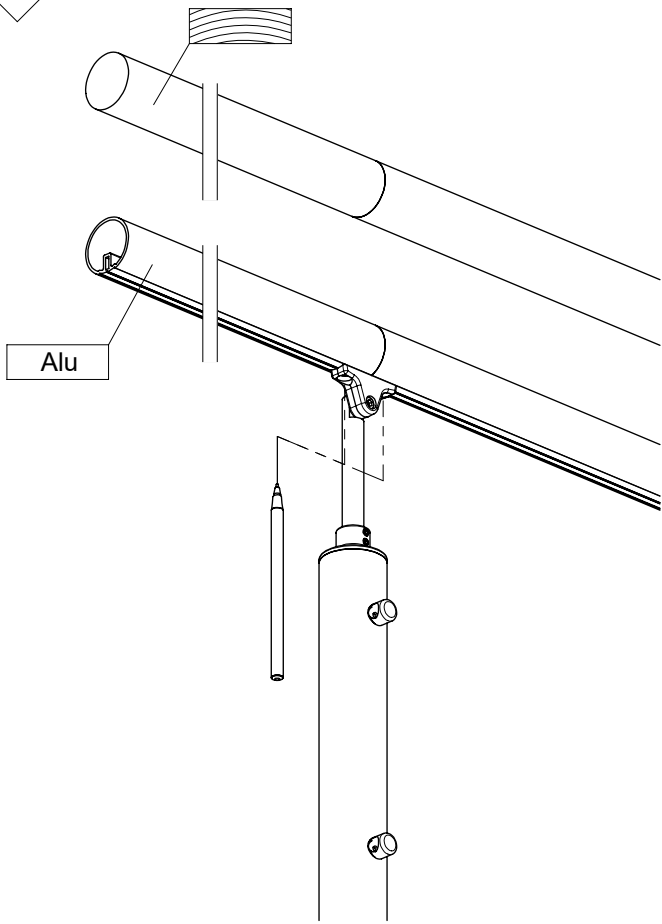
9



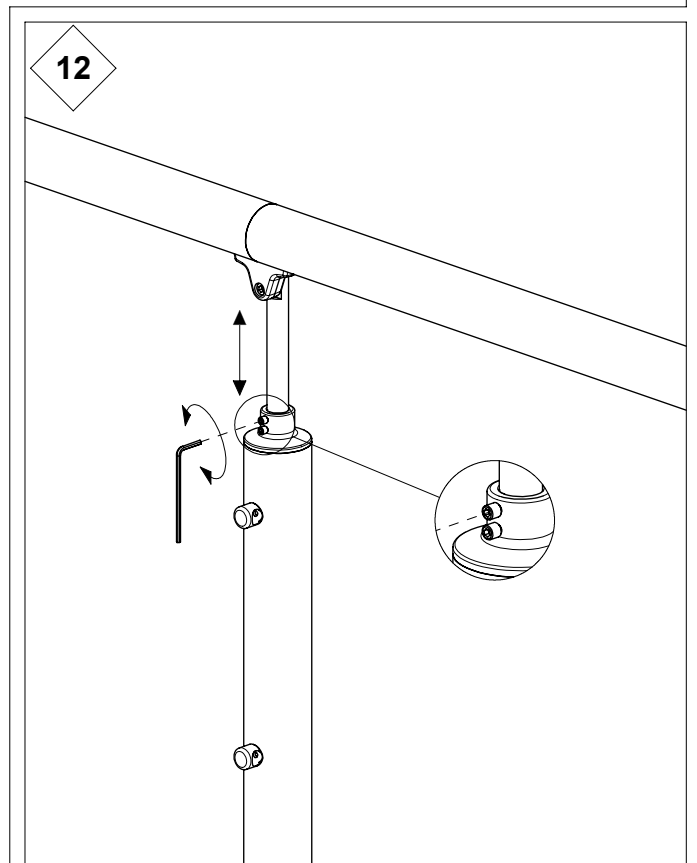
10



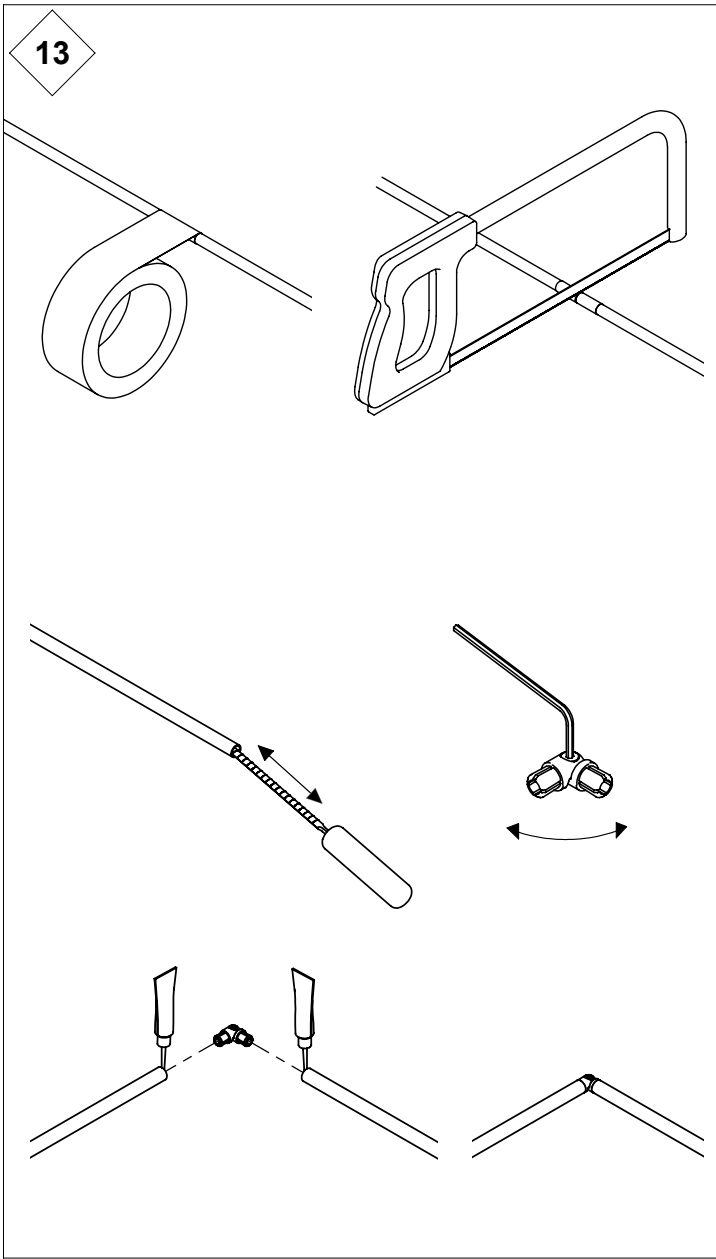
11



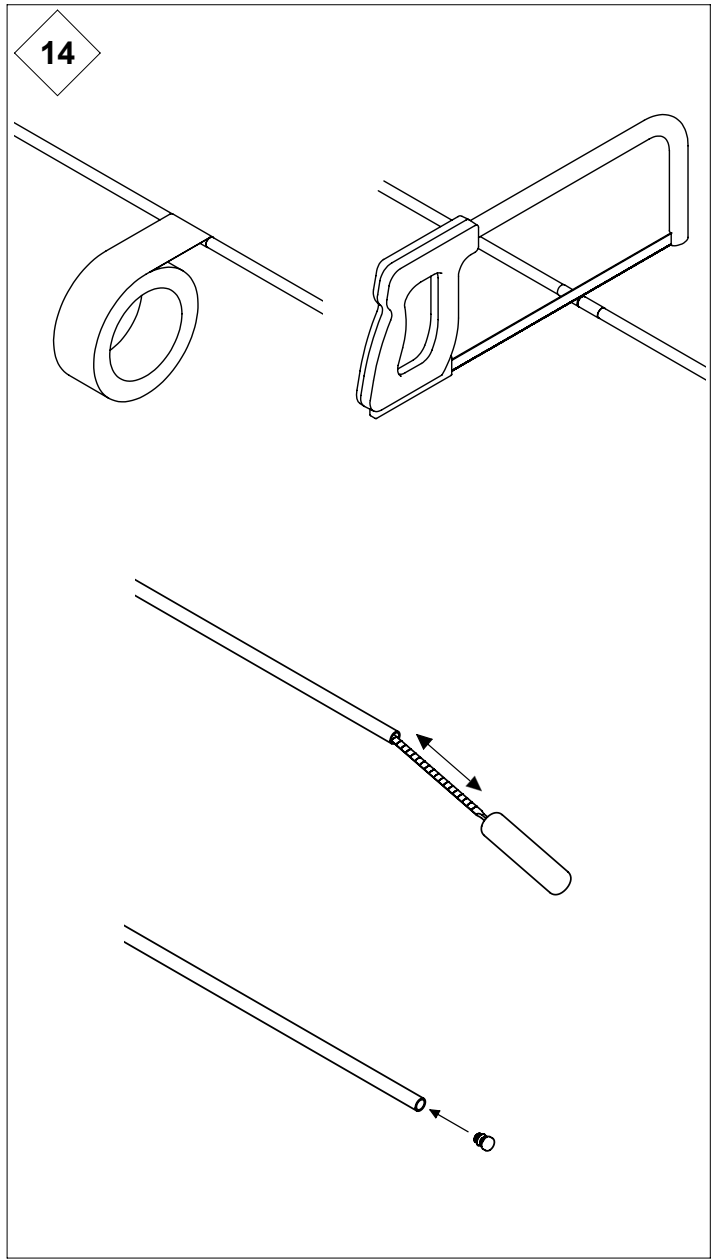
12



13



14



15

