

DOLLE CF36G



SIZE 120 X 60 CM - WITH 30 MM INSULATION

ClickFix® attic ladder with 30 mm insulation = U-value 0,99 W/m² *K. ClickFix is a complete line of attic ladders based on the unique patented ClickFix® technology. The entire product range is known by the low u-value and the quick and easy installation. The low weight (approx. 25% less than traditional attic ladders) and the Click system make it possible for only 1 person to mount the ClickFix attic ladders. The insulation and the construction of the trapdoor reduces heat loss. Dolle CF36G is delivered with non-slip treads for extra security and a wooden push/pull rod for easy operation of the attic ladder.

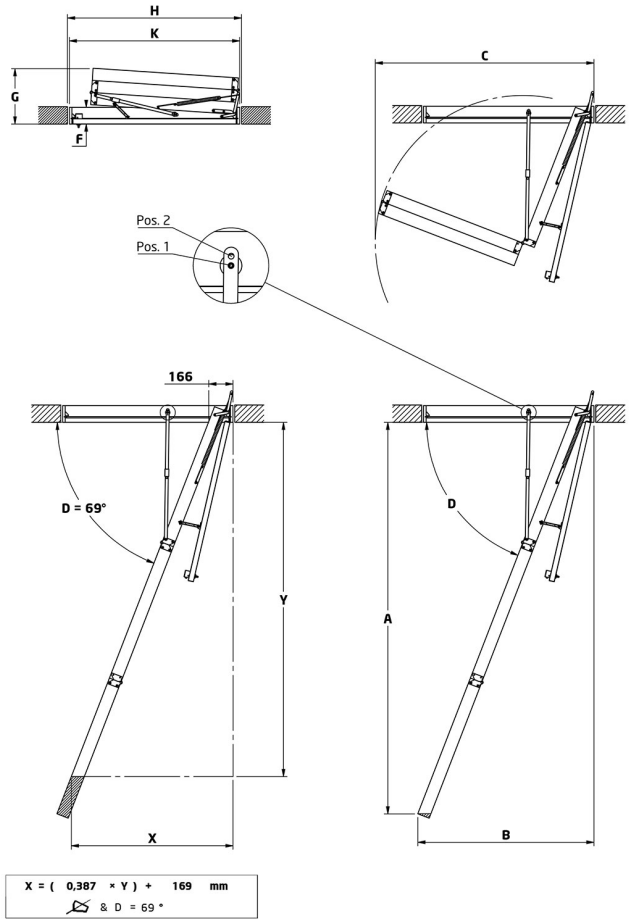
To reach extra height you can buy Extension kits - please contact Dolle A/S



PRODUCT DATA

PRODUCT NAME	Dolle CF36G
TYPE	3-section
MATERIAL	wood
PRODUCT-NO.	38565
FLOORHEIGHT	Max. 275 cm
HEIGHT WITH EXTRA TREADS	Max. 345 cm
OUTLET IN CM	122 cm
OUTSIDE WIDTH IN CM	151 cm
NUMBER OF TREADS	12
OPENING SIZE	120x60 cm
INSULATION	30 mm
MATERIAL (CASING)	Spruce
THICKNESS (CASING)	18 mm
HEIGHT (CASING)	115 mm
OUTSIDE CASING	117,5x57,6 cm
MATERIAL (TRAPDOOR)	white/white HDF 2 x 3
INSULATION (TRAPDOOR)	30 mm
THICKNESS (TRAPDOOR)	36 mm
THICKNESS (TREADS)	28 mm
DEPTH (TREADS)	82 mm
WIDTH (TREADS)	400 mm
RISE (TREADS)	250 mm
MATERIAL (TREADS)	Spruce
MATERIAL (STRING)	Spruce
THICKNESS (STRING)	21 mm
DEPTH (STRING)	84 mm
MAX. HEIGHT CLOSED STAIR	38,4 cm
MAX. LENGTH CLOSED STAIR	38,4 cm
MAX. USERWEIGHT	Tested by EN14975 up to 265 kg, work weight 150 kg
CLICKFIX TECHNOLOGY	Yes
U-VALUE W/(M²K)	0,99 tested as building component
TEST	DTI EN12207 Class 4 @ 600 Pa

MEASUREMENTS



Staircase	III	Pos.	A	A+	B	C	D	F	G	Model	H	K
			mm	mm								
12	4-4-4	1	2701	2734	1214	1508	69	115	385	38565	1200 × 600	1175 × 576
		2	2738	2769	1124	1479	71					

38565_M / 22-05-2014 / Rev. 16-08-2016 / CF36-G